

4

3



2

1

D

D

C

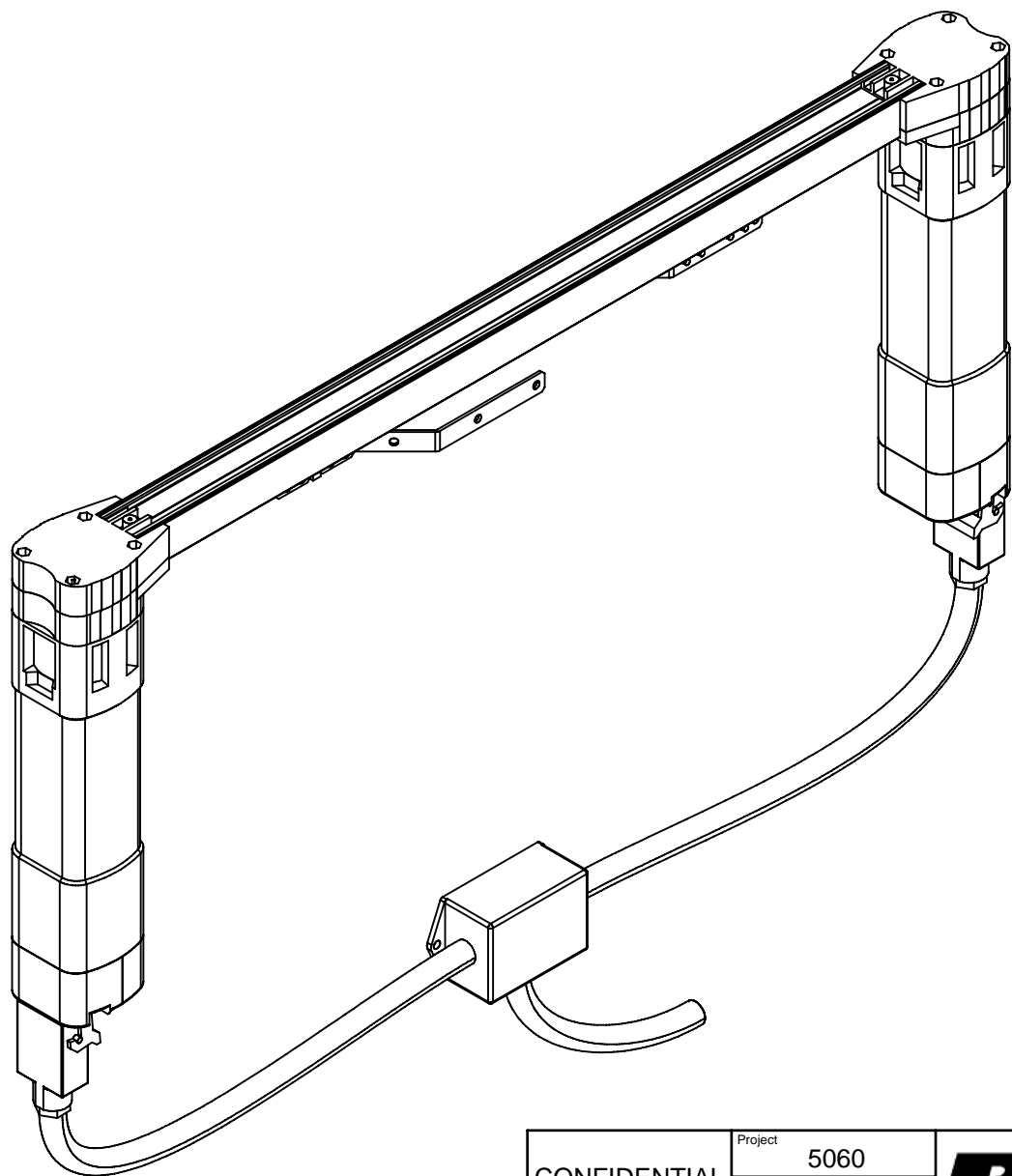
C

B

B

A

A



CONFIDENTIAL

All information disclosed in this document is proprietary to BTX Window Automation. Holder agrees to maintain it in confidence and must not replicate or reveal this information in any manner.

Project **5060**

Dim **Inches**

TOLERANCES

.XX ± .015

.XXX ± .005

ANG ± 1°



BTX Window Automation
10763 Sanden Dr.
Dallas, Texas 75238
(214) 340-2800
(214) 343-2444 FAX

5060 60W Sofia™ Tandem

Size **A** | Matl: | Dwg No: **sofia_S_60W_tndm** | Rev

By: **G. Bennett**

Date: **18-May-08**

Scale: **1/4**

Sheet **1** of **2**

4

3



2

1