

4

3



2

1

D

D

C

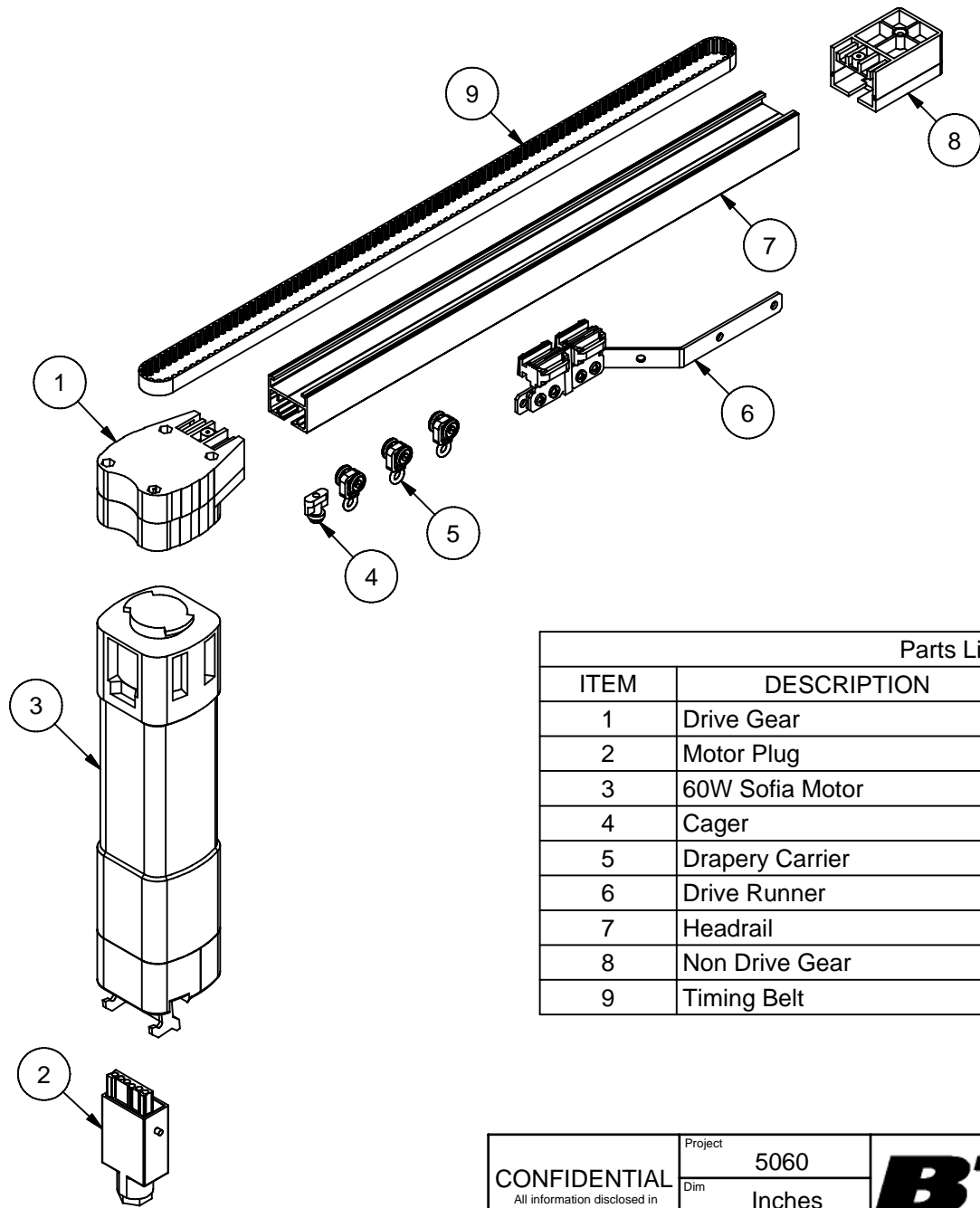
C

B


B

A

A



Parts List		
ITEM	DESCRIPTION	PART NUMBER
1	Drive Gear	256.7550
2	Motor Plug	440.1141
3	60W Sofia Motor	101.3349
4	Cager	240.8050
5	Drapery Carrier	240.1740
6	Drive Runner	266.4900
7	Headrail	310.5510
8	Non Drive Gear	256.1545
9	Timing Belt	290.2000

<p><b>CONFIDENTIAL</b></p> <p>All information disclosed in this document is proprietary to BTX Window Automation. Holder agrees to maintain it in confidence and must not replicate or reveal this information in any manner.</p>	Project	5060			BTX Window Automation 10763 Sanden Dr. Dallas, Texas 75238 (214) 340-2800 (214) 343-2444 FAX	
	Dim	Inches				
	TOLERANCES			5060 60W Sofia™ Parts Vew		
	Size	A	Matl:		Dwg No:	sofia_S_60W
By:	G. Bennett	Date:	16-May-08	Scale:	16-May-08	
			Sheet	1	of	2

4

3



2

1