

4

3



2

1

D

D

C

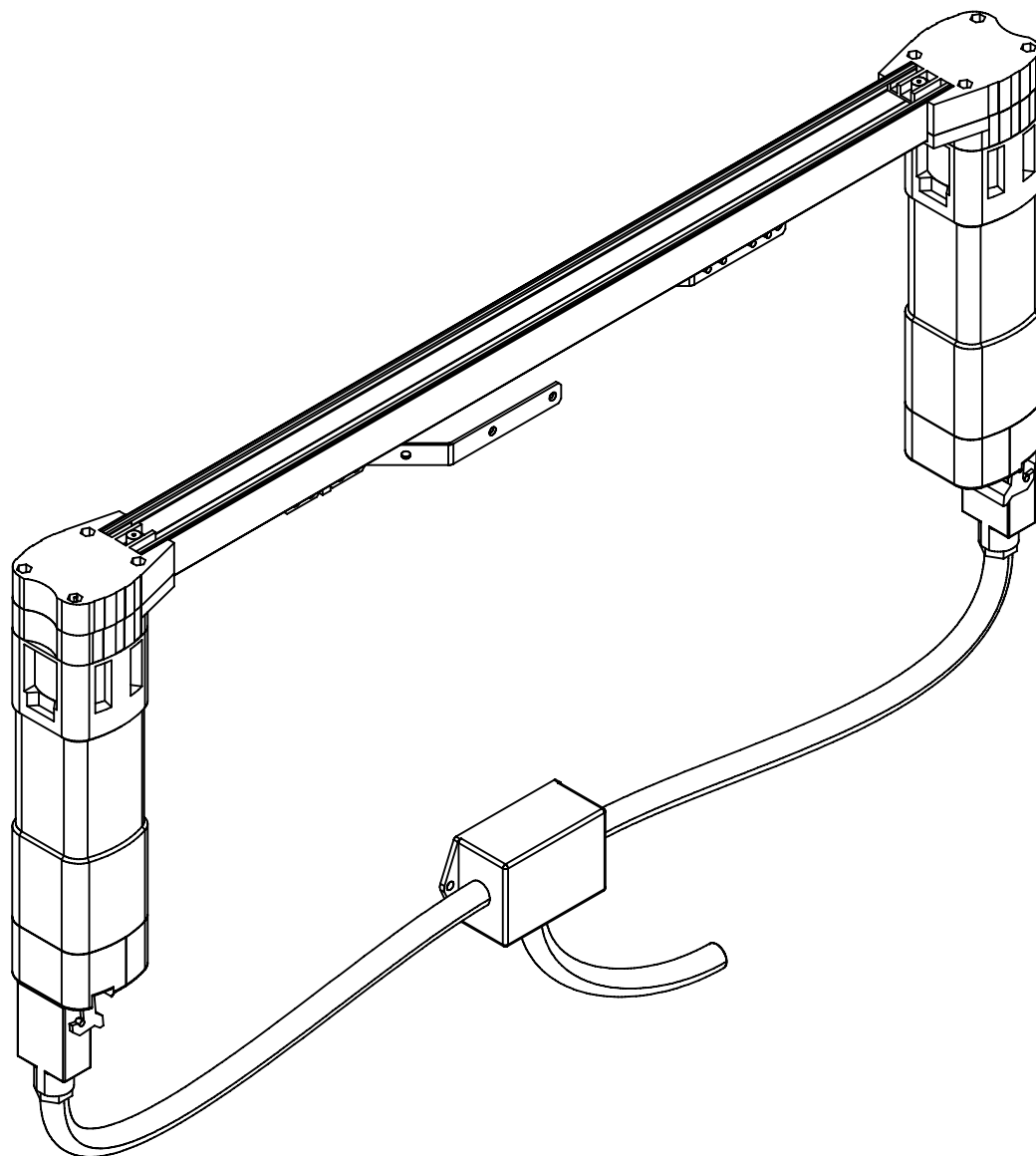
C

B

B

A

A



**CONFIDENTIAL**

All information disclosed in this document is proprietary to BTX Window Automation. Holder agrees to maintain it in confidence and must not replicate or reveal this information in any manner.

Project	5060		<b>BTX</b> <sup>®</sup>	BTX Window Automation 10763 Sanden Dr. Dallas, Texas 75238 (214) 340-2800 (214) 343-2444 FAX	
Dim	Inches				
TOLERANCES			5060 45W Sofia™ Tandem		
	.XX ± .015		Size	A	Matl:
	.XXX ± .005		Dwg No:	sofia_S_45W_tndm	
	ANG ± 1°		Rev		
By:	G. Bennett	Date:	16-May-08	Scale:	1/4
				Sheet	1 of 2

4

3



2

1