

4

3



2

1

D

D

C

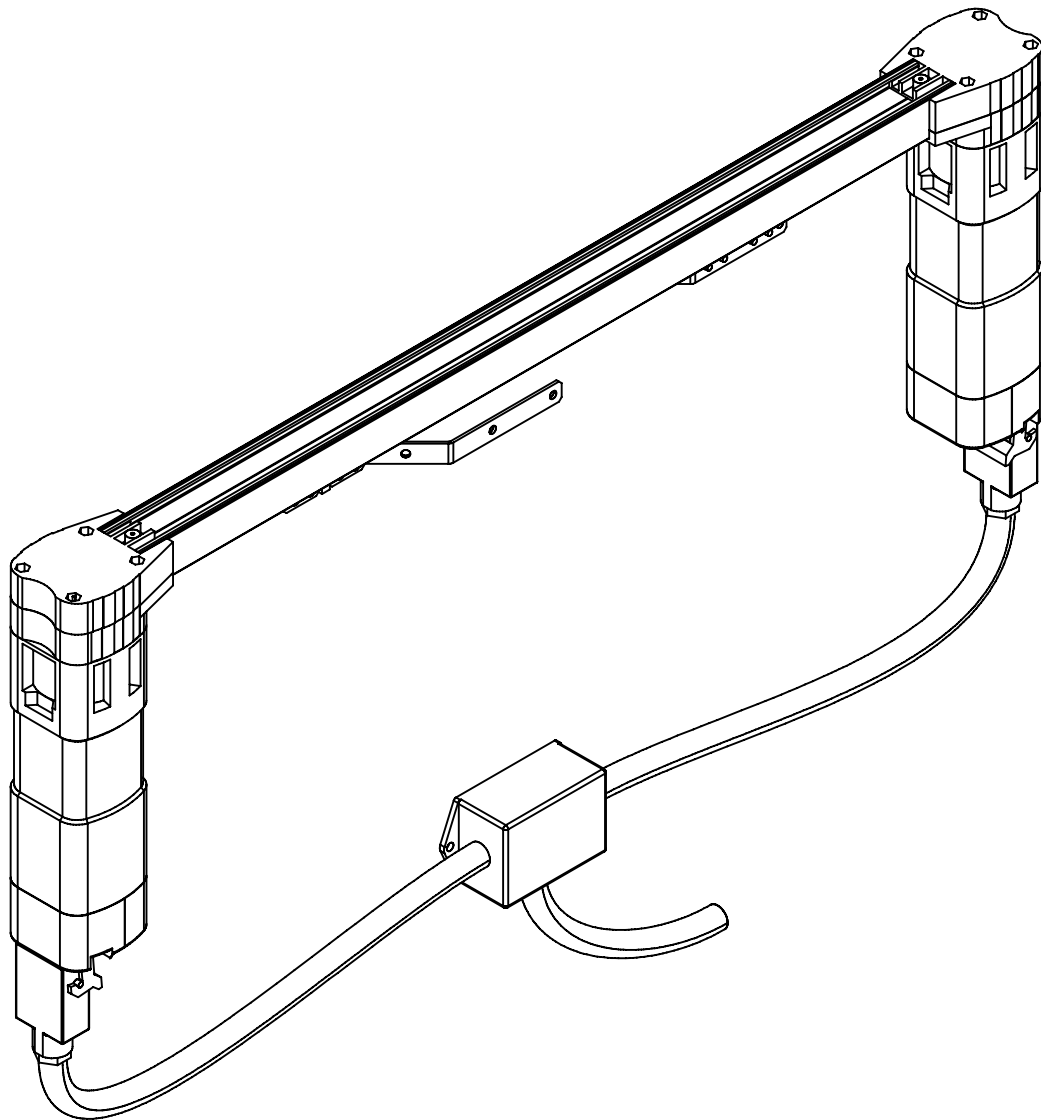
C

B

B

A

A



CONFIDENTIAL

All information disclosed in this document is proprietary to BTX Window Automation. Holder agrees to maintain it in confidence and must not replicate or reveal this information in any manner.

Project	5060		BTX [®]	BTX Window Automation 10763 Sanden Dr. Dallas, Texas 75238 (214) 340-2800 (214) 343-2444 FAX	
Dim	Inches				
TOLERANCES			5060 30W Sofia™ Tandem		
	.XX ± .015		Size	Matl:	Dwg No:
	.XXX ± .005		A		sofia_S_30W_tndm
	ANG ± 1°				Rev
By:	G. Bennett	Date:	16-May-08	Scale:	1/4
				Sheet	1 of 2

4

3



2

1